	<b>BOSSIL TECHNOLOGY SDN. BHD.</b>	Issued date : 01/11/13
	Technical Data Sheet	Rev. No. : 0
	<b>BS-8430 SBR Latex</b>	Revised date : - Page : 1 of 3

### Product Specification:

Appearance	Milky dispersion
Color	White
Specific Gravity	1.00 ± 0.02
Salt Compatibility	Excellent
Application Temperature	15°C TO 45°C
pH (25°C)	8 – 9
Solubility in water	Emulsifiable



### Product Description:

BS-8430 SBR Latex is a superior quality waterproofing copolymer latex with a blend of special auxiliary chemicals.

It is a water base dispersion of synthetic polymer which will substantially improve the workability of concrete and mortars used for repairs, floor toppings and renders in building and construction industry.


By carefully selecting the proportions of cement, sand, water and SBR Latex, it will be ideal for bonding of tiles as well as natural stone, marble, granite, slate and ceramic tiles onto concrete, plaster, concrete block, fibre cement sheet, particle board, old ceramic tiles etc.

### Advantages:

- Ready to use from container - Simply add to the mixture of cement.
- Improve adhesion markedly to a wide range of substrates.
- Excellent resistance to water and water vapour when dry.
- Allows thin section application and feather edging.
- Reduces shrinkage.
- Improves abrasion, chemical and impact resistance.
- Increases compression, flexural and tensile strength.
- Reduces water permeability, protects against carbonation.
- Reduced water cement ratio for equivalent workability.

### Applications:

- **Flooring Systems:** from underlayments to the tough industrial screeds.
- **Concrete Repair:** general repair of old building, patch repairs, floors, reinforced concrete, etc.
- **Primer/Bond Coats and Protective Coatings:** enhance protection of structure against salts, carbonation, mild acid, etc.
- **Waterproofing:** general waterproofing of floors, walls, bund walls, and tanking applications.
- **Mortar/Renderers:** improve adhesion, crack resistance and weather resistances.
- **Grouts:** increase bond, chemical resistance and crack resistance.
- **Tile Adhesives:** to provide a high safety factor against failure, even in permanently wet conditions.

	<b>BOSSIL TECHNOLOGY SDN. BHD.</b>	Issued date : 01/11/13
	Technical Data Sheet	Rev. No. : 0
	<b>BS-8430 SBR Latex</b>	Revised date : - Page : 2 of 3

## Preparation:

All Substrates should be cleaned and free of dust, plaster oil, paint, grease, corrosion deposit and any other deleterious substance. Excess laitance should be removed by mechanical means. Best results are obtained when smooth substrates are mechanically roughed or grit blasted or needle scrubbed to provide adequate key for installation of SBR for cementitious mixes.

For ceramic, tile and brick slip bonding adhesive:

- The basic guideline for mixture ratio of both thin bed and thick bed is suggested as below:

Composition	Thin Bed (up to 3 mm)	Thick Bed (up to 12 mm)
Ordinary Portland Cement, OPC	50	50
Clean fine sand (max. size = 1 mm)	50	125
SBR latex	15	23

- Additional water can be added to bring the mixture to the right consistency.
- The porous surface must be pre-dampened without any free water on the surface.
- The tile adhesive is applied by buttering the back of each tile/brick slip, then push firmly into position.
- Leave at least 24 hours to set hard before apply any grout to fill the joints in between the tile/brick slips.

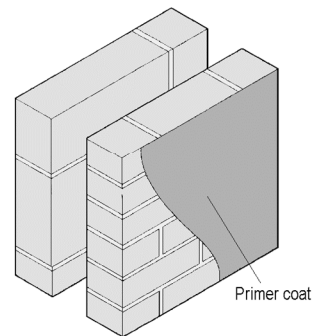
All tools should be cleaned immediately after use with water because hardened SBR modified cement have excellent adhesion and are therefore difficult to remove. Solvents such as white spirit, used with coarse wire wool, help to remove partially hardened mixes.

## Directions:

The application temperature should be between 15°C to 45°C. The installation procedures are to be as follows:

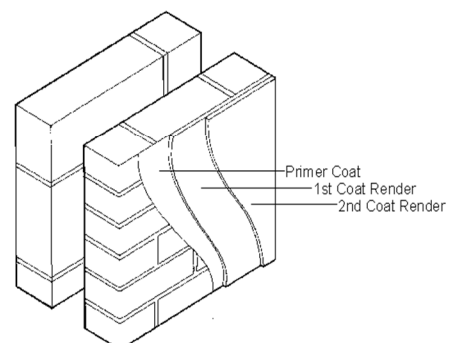
### As for a *bonding agent/primer*:


- Immediately before priming, the concrete substrate should be thoroughly dampened with water with any excess being brushed off.
- The brush or roller can be used to apply BS-8430 SBR Latex by the coverage of 12 sq. meters per 4 L.
- If the mixture of SBR and cement are mixed as to be a primer system, the suggested ratio shall be 1-2 parts : 1 part for fresh O.P.C. cement : BS-8430 SBR Latex, whereas the level of cement may be varied to obtain the required depending the consistency required.
- The coverage for cementitious base primer is about 0.3 – 0.5 L per sq. meter per coat and the thickness of primer should not exceed 0.5mm to minimize the risk of cracking.
- Place the cement-base patch, render or overlay while the primer is still tacky or wet, usually this should be within 20 minutes depending on conditions.



### As for a *rendering/plastering*:

- The primer coat should be applied before rendering. If not, the surface to which it is to be applied must be dampened first.
- The ratio for cement : fine sand : SBR shall be followed by weight as 1:3:0.45.



	<b>BOSSIL TECHNOLOGY SDN. BHD.</b>	<b>Issued date</b> : 01/11/13
	Technical Data Sheet	<b>Rev. No.</b> : 0
	<b>BS-8430</b> <b>SBR Latex</b>	<b>Revised date</b> : - <b>Page</b> : 3 of 3

3. The above mixture shall be mixed homogenously and the sufficient amount of water added later to achieve required working consistency. Over addition of water will cause rapid thinning of latex modified mortars owing to the plasticizing effect of the latex.
4. As a rough guide, 1.5 liter of BS-8430 BSR Latex will cover 1 m<sup>2</sup> at a 15 mm thickness.
5. If lime is used in the mix, it should not exceed 25% of the cement by volume.
6. For waterproof rendering purpose, the ratio of SBR Latex shall be increased to 0.5.

### Caution:

Avoid contact with eyes, skin and mouth.

Use in well ventilated area. In case of contact with eyes, flush with water immediately for 15 minutes. If irritation persists, seek medical attention.

Keep out of reach of children.

### Storage:

Store under cover, in dry and cool place with temperature below +25°C. Protect from freezing. Use within 12 months from date of production.

BS-8430 SBR Latex contains sufficient bactericide to preserve the latex under normal storage conditions. However, like most lattices, if the latex is diluted and then stored or re-packed, addition of extra bactericide may be required.

Every endeavour has been made to ensure that the information given herein is true and reliable but it is given only for the guidance of our customers. The company cannot accept any responsibility for the loss or damage that may result from the use of the information, due to the possibility of various of processing or working conditions and of workmanship outside our control. Users are advised to confirm suitability of this product by their own tests.

- END -